

PRODUCT CODE: RC10TH/B
TOP HAT ROD CAP



DESCRIPTION

M10 Top Hat Rod Cap

FINISH

Black

MATERIAL

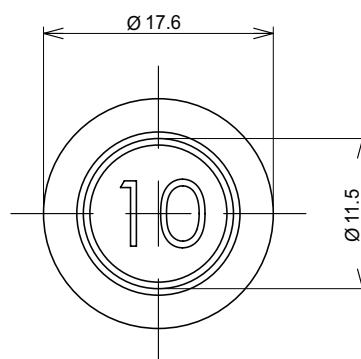
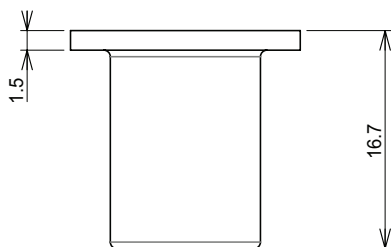
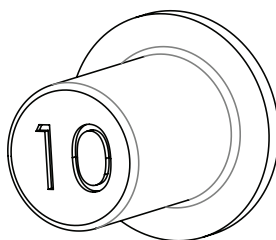
PVC

PACKAGING

Packed in qty 100

ADDITIONAL NOTES

For use with M10 threaded rod or studs



Ⓢ Values are nominal and with a general tolerance $\pm 5\%$ unless otherwise specified